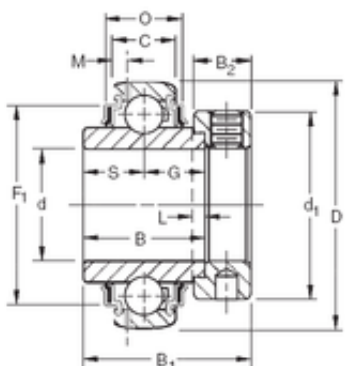




**100,0125 mm x 215 mm x 100,01 mm TIMKEN  
GN315KRRB Insert Bearings Spherical OD**



Bearing No. GN315KRRB

|                               |                        |
|-------------------------------|------------------------|
| Size                          | 100.0125x215x100.01 mm |
| Bore Diameter                 | 100,0125 mm            |
| Outer Diameter                | 215 mm                 |
| Width                         | 100,01 mm              |
| d                             | 100,0125 mm            |
| D                             | 215 mm                 |
| B                             | 100,01 mm              |
| C                             | 49 mm                  |
| P                             | 59,36 mm               |
| O                             | 182,85 mm              |
| d1                            | 146,1 mm               |
| B1                            | 7,82 mm                |
| B2                            | 36,5 mm                |
| G                             | 50 mm                  |
| L                             | 7,9 mm                 |
| S                             | 50 mm                  |
| F1                            | 129,6 mm               |
| Weight                        | 12,233 Kg              |
| Basic dynamic load rating (C) | 193 kN                 |

GN315KRRB Bearing 2D drawings and 3D CAD models